



100G BASE -SR4 QSFP28 Active Optical Cable

Features

- 4 channels full- duplex transceiver modules
- Supports 100Gbps total data rate
- 4 channels 850 nm VCSEL array
- 4 channels PIN photo detector array
- Low power consumption < 3.5W
- Hot Pluggable QSFP form factor
- Maximum link length of 70m on OM3 Multimode Fiber(M MF)and 100m on OM4 M M F
- Single MPO connector receptacle
- Built- in digital diagnostic functions
- Operating case temperature 0 °C to +7 0 °C
- 3 .3 V power supply voltage
- RoHS6 compliant(lead free)



Applications

- IEEE 8 02 . 3bm 100 G BASE SR4
- Infiniband EDR



Description

The product is a Four - Channel, Pluggable , Parallel, Fiber - Optic QSFP+ AOC for 100 Gigabit Ethernet and Infiniband EDR Applications .This Flexlink is a high performance module for short- range multi - lane data communication and interconnect applications .It integrates four data lanes in each direction with 100Gbps bandwidth . Each lane can operate at 25.78125Gbps up to 70m using OM3 fiber or 100m using OM4 fiber. These modules are designed to operate over multimode fiber systems using a nominal wavelength of 850nm. The electrical interface uses a 38 contact edge type connector. The optical interface uses an 12 fiber MTP (MPO) connector. This module incorporates Flexlink proven circuit and VCSEL technology t o provide reliable longlife , high performance , and consistent service .

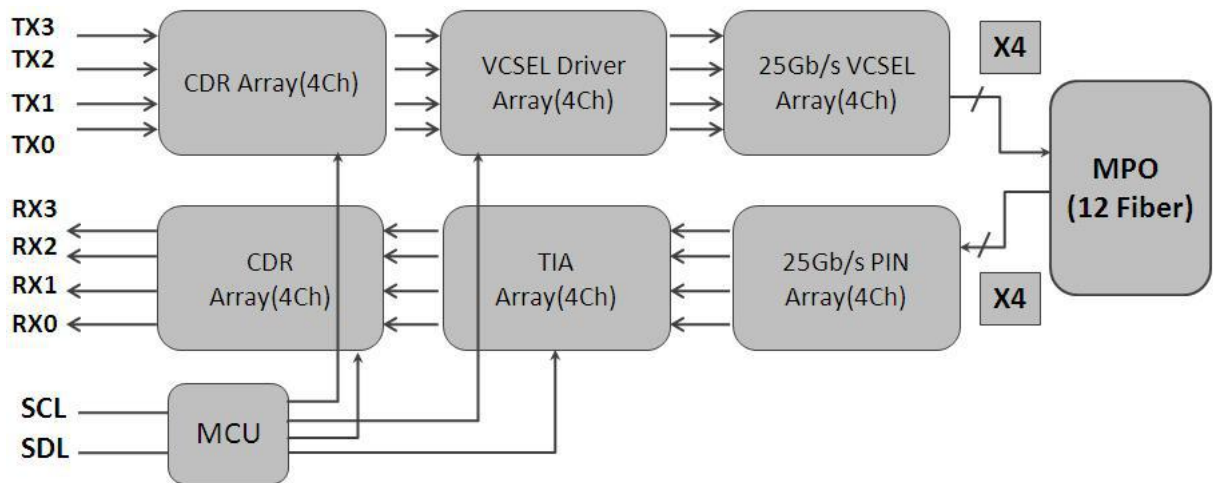


Figure1. Module Block Diagram



Absolute Maximum Ratings

Parameter	Symbol	Min	Max	Unit
Supply Voltage	V _{cc}	- 0.3	3.6	V
Input Voltage	V _{in}	- 0.3	V _{cc} + 0.3	V
Storage Temperature	T _{st}	- 20	85	°C
Case Operating Temperature	T _{op}	0	70	°C
Humidity (non -condensing)	R _h	0	85	%

Recommended Operating Conditions

Parameter	Symbol	Min	Typical	Max	Unit
Supply Voltage	V _{cc}	3.13	3.3	3.47	V
Operating Case temperature	T _{ca}	0		70	°C
Data Rate Per Lane	f _d		25.78125		Gbps
Humidity	R _h	5		85	%
Power Dissipation	P _m			3.5	W
Fiber Bend Radius	R _b	3			cm

Recommended Operating Conditions

Parameter	Symbol	Min	Typical	Max	Unit
Supply Voltage	V _{cc}	3.13	3.3	3.47	V
Operating Case temperature	T _{ca}	0		70	°C
Data Rate Per Lane	f _d		25.78125		Gbps
Humidity	R _h	5		85	%
Power Dissipation	P _m			3.5	W
Fiber Bend Radius	R _b	3			cm